

Thrust Ball Bearings

Bearing No. : **NACHI 53204**

■ Bearing Type

■ Clearance

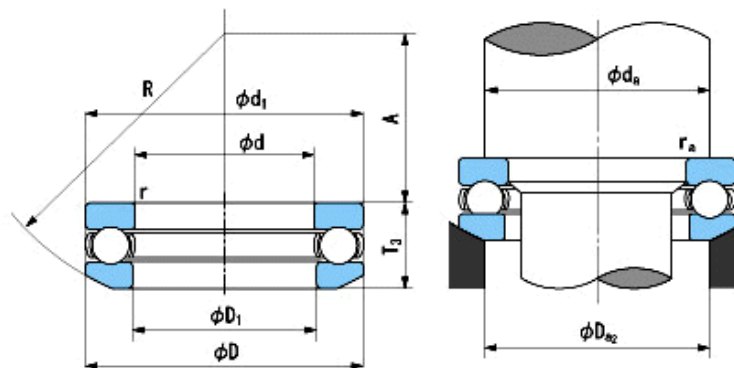
■ Tolerance Class

Dimensions

d = 20 0
 -0.010

D = 40 0
 -0.016

T3 = 14.7
r = 0.6~1.5
(Radial Direction and Axial Direction)
D1(min) = 22
d1(max) = 40
R = 36
A = 18



Dimensions
da(min) = 32
Da2(max) = 28
ra(max) = 0.6
Mass = 0.08 kg

Basic Dynamic Load Rating Ca : **22,200** N

Basic Static Load Rating Coa : **37,500** N

Limiting Speed ;

Grease Lubrication : **4,200** min⁻¹

Oil Lubrication : **6,300** min⁻¹

O.D.Surface Runout with Side :

Axial Runout with Bore :

Axial Runout with Raceway :

Width Variation :

Radial Runout :

INNER RING

OUTER RING